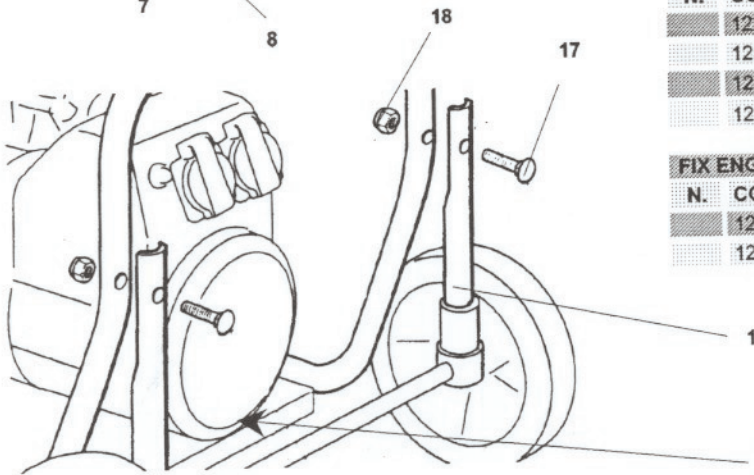
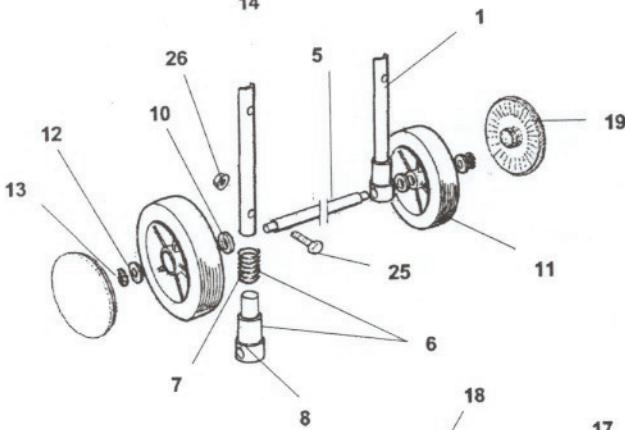
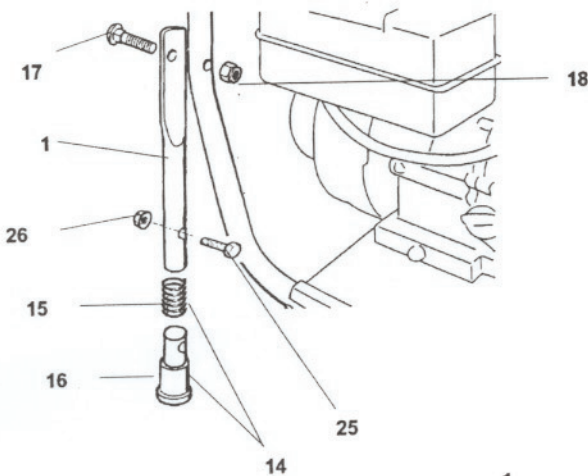
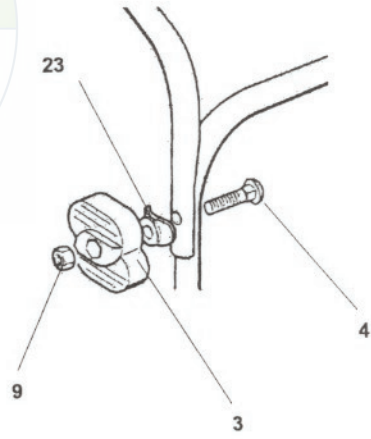
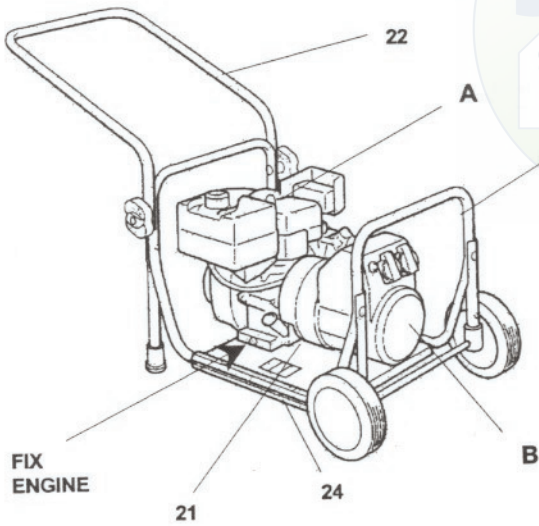


SICHER IST DAS:
DAS ORIGINAL



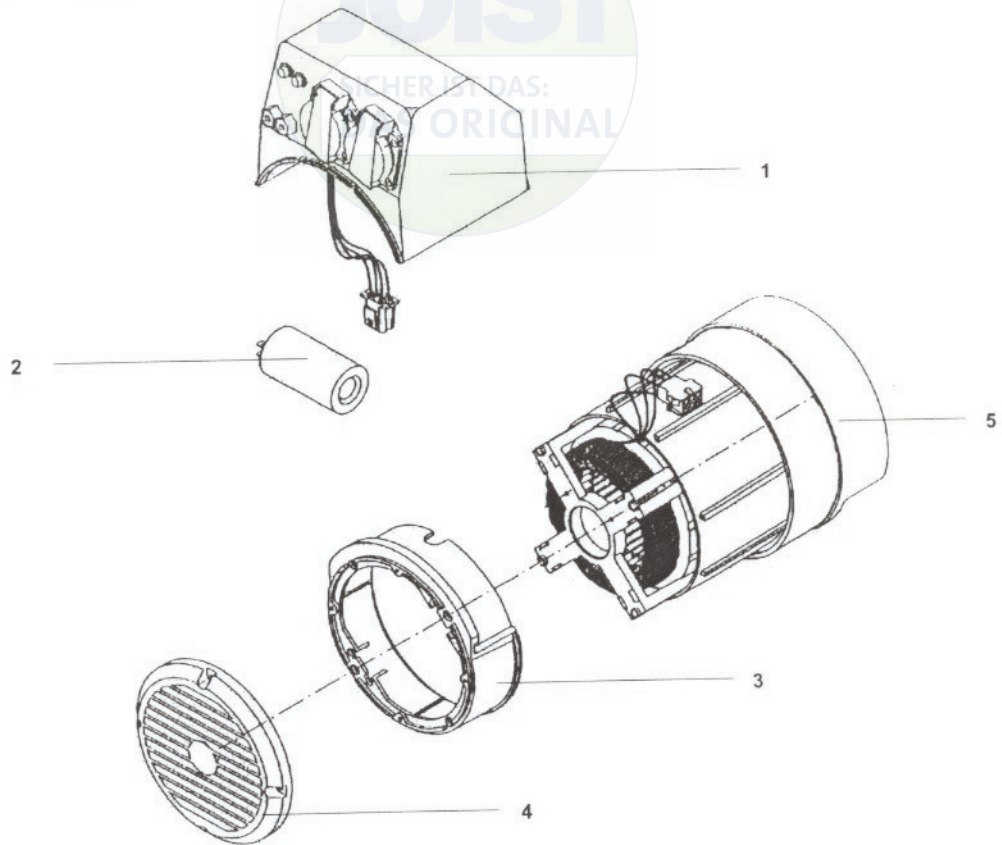
N.	CODE	Q.TY	DESCRIPTION
A		1	ENGINE
B	18560201/0	1	ALTERNATOR
1	81006451/0	4	SUPPORT
2	81006461/0	1	FRAME (BACK)
3	22399803/0	2	KNOB
4	12819201/0	2	SCREW
5	22033349/0	1	SHAFT
6	22735700/0	2	DAMPER
7	22430200/0	2	SPRING
8	22735850/0	2	BELLOWS
9	12293200/0	2	NUT
10	12521370/0	2	WASHER
11	81007325/0	2	WHEEL
12	12523060/0	2	WASHER
13	12804899/0	2	ELASTIC RING
14	81735700/0	2	DAMPER
15	22430200/0	2	SPRING
16	22735650/0	2	BELLOWS
17	12815220/0	4	SCREW
18	12154510/0	4	NUT
19	22110290/0	2	HUBCAP
20	81006459/0	1	FRAME (FRONT)
21	81534305/0	1	PLATE
22	81007036/0	1	HANDLE
23	22680006/1	2	WASHER
24	22775169/0	2	FIXING PLATE
25	12789020/0	4	SCREW
26	12154330/0	4	NUT

FIX ALTERNATOR

N.	CODE	Q.TY	DESCRIPTION
	12293201/0	3	NUT
	12583500/0	4	WASHER
	12716220/0	1	STOP DOWEL
	12735803/0	4	SCREW

FIX ENGINE

N.	CODE	Q.TY	DESCRIPTION
	12293201/0	2	NUT
	12691100/0	2	SCREW



N.	CODE	Q.TY	DESCRIPTION
1	18560205/0	1	PANEL
2	18560208/0	1	CAPACITOR
3	18560207/0	1	COVER SUPPORT
4	18560206/0	1	COVER GRID
5	18560201/0	1	ALTERNATOR